

SHOALHAVEN CITY COUNCIL

The Studio

Technical Specifications

Shoalhaven Entertainment Centre

Updated 10 November 2008

Studio Technical Specifications

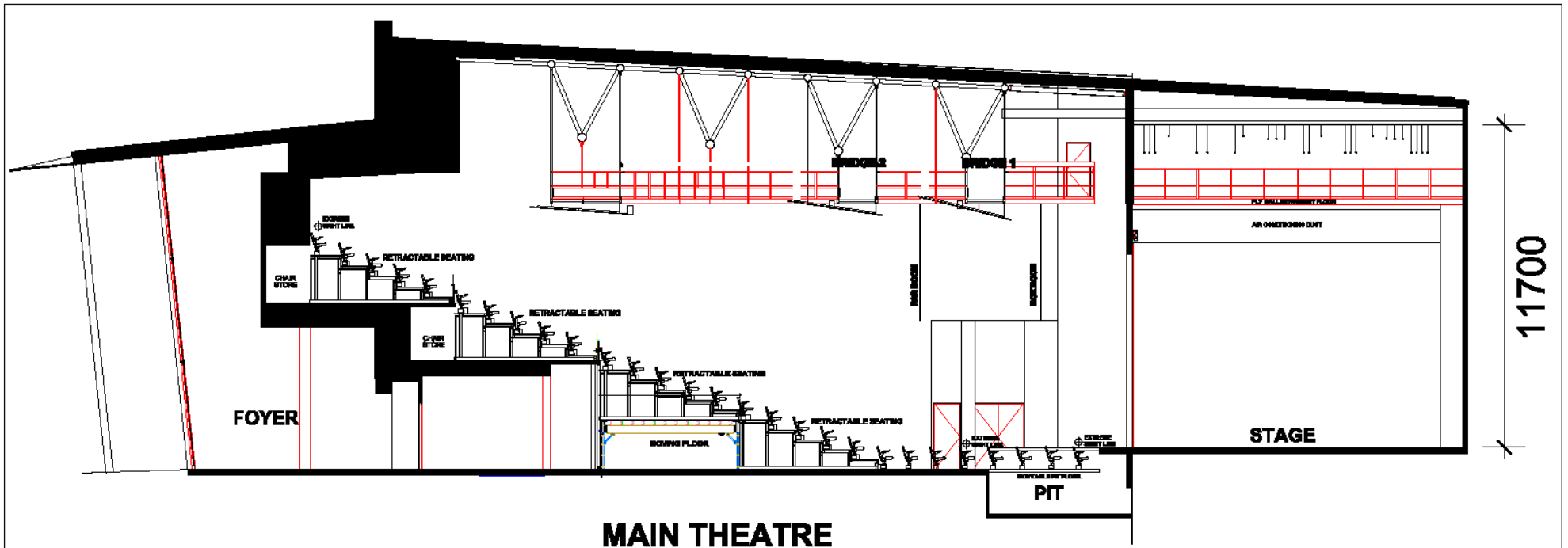
Table of Contents

Seating Capacities	3
Loading bay	8
Rigging Points.....	9
Access Equipment	9
Power supply, circuits	10
Temporary Power Supply	Error! Bookmark not defined.
“Green Power”	10
Studio lighting circuits	10
Lighting Equipment	11
Sound Equipment	11
Projection.....	11
Talkback	11
Miscellaneous	13
Dressing rooms, Green Rooms	13
Laundry facilities	13
Music Stands.....	13

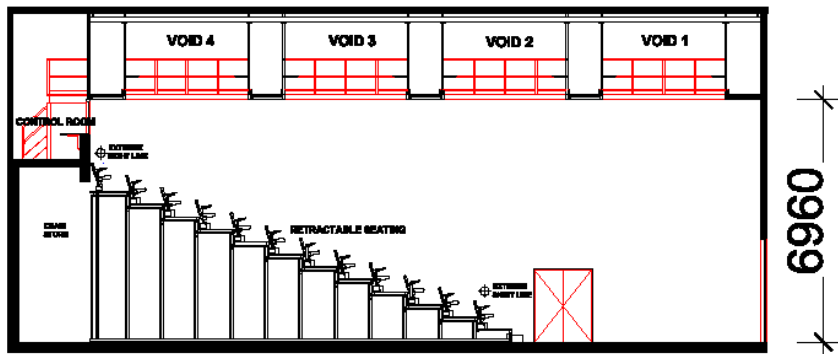
Seating Capacities

Seating in the studio is fully retractable. When deployed seating is in a single bank 18 seats wide and 12 rows deep.

Maximum Capacity **192**

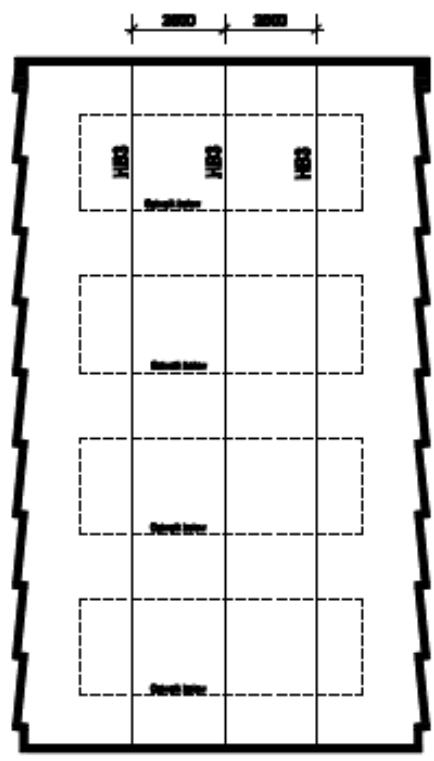
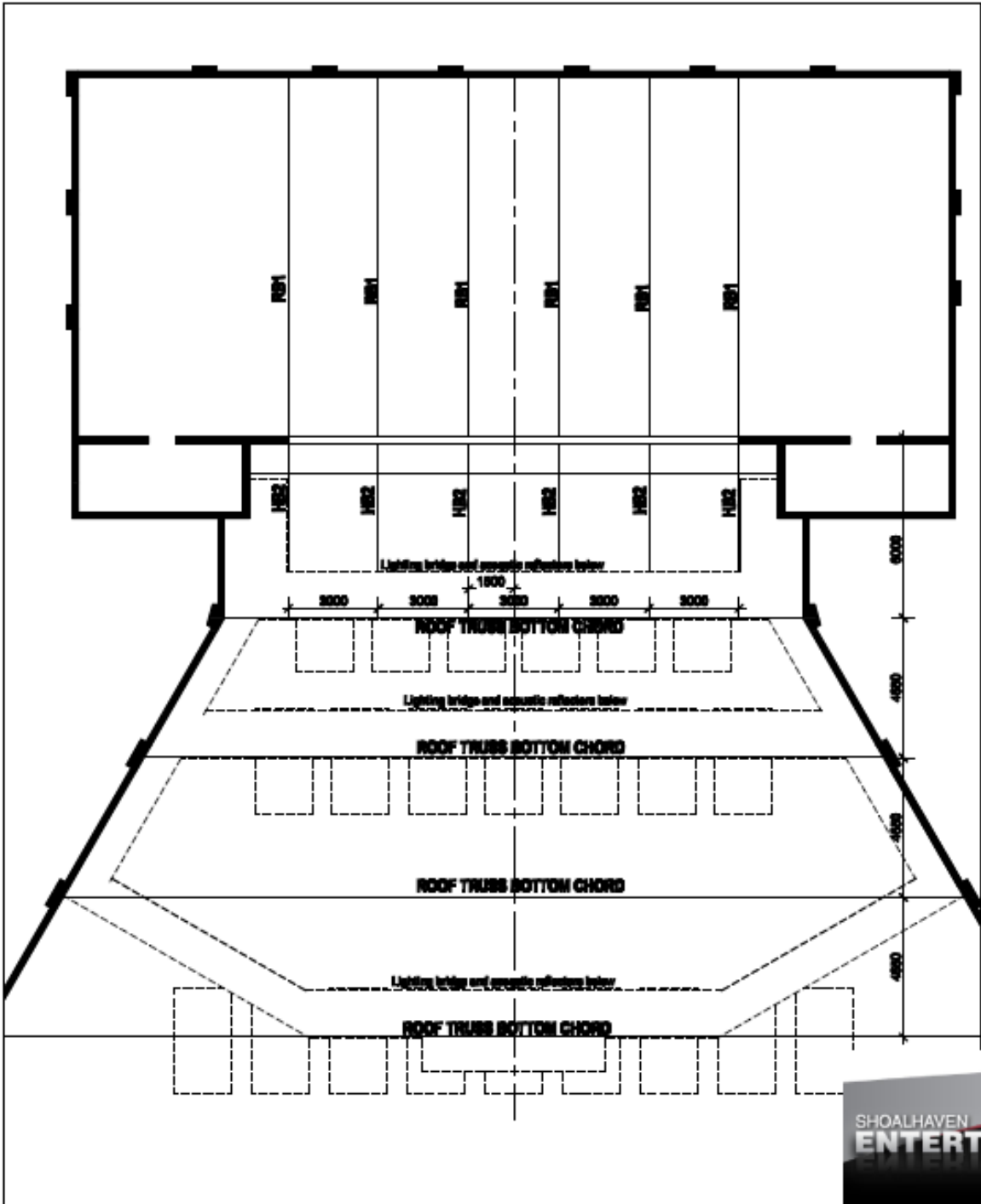


MAIN THEATRE



STUDIO

		VENUE Entertainment Centre			
		TITLE Sections			
SCALE	NTS	REVISION	A	DRAWN	Tweede
PAGE NO.	A4	DATE	Apr 08	© SEC	of 6
					3



VENUE		Entertainment Centre		
TITLE		Rigging Points		
SCALE	NTS	REVISION	A	DRAWN
PROJECT	A4	DATE	Apr 08	© BEC
				DRAWN <i>Tweadie</i>
				DWG NO of 7
				4

Studio

The Studio is located on the western side of the building. It opens onto the main foyer area.

The venue seats 192 in a single seating bank. This seating is fully retractable leaving a free space 19m x 11m.

The floor is a sprung plywood sandwich construction topped with masonite. The floor capacity 500 kg/m²

Rigging beams (RB3) safe working load 200kg/m (see drawing 4 for position)

Loading bay

The loading bay is located on the south side of the building. The floor is at stage level for both venues with an approximate drop to ground level of 900mm.

Floor Capacity 750 kg/m²

Rigging Points

HB3 (see drawing 4)

Three beams running full length of venue 200kg/m.

Tabs

Material: Wool
Colour: Black pleated
French Action
1

Cyc

Material: Filled cloth
1

Legs

Material: Wool
Colour: Black pleated
Hung as false Proscenium and stage masking 6

Access Equipment

A Snorkel UL32 Elevated Work Platform is available within the confines of the building.

Maximum platform height	9.7m	136kg capacity
Aluminium Extension Ladder	4.2m-7.78m	150kg capacity
Aluminium Step ladder	4.5m	150kg capacity
Fibre Glass Step ladder	3.6m	150kg capacity
Fibre Glass Step/extension ladder	2.4m-4.11m	150kg capacity

Power supply, circuits

“Green Power”

“Green Power” refers to dedicated sound power separated from other power supplies at initially switch board. “Green Power” GPOs are located throughout the building.

Studio lighting circuits

Position	Description	Height above stage	10amp dimmable	20amp dimmable	10 amp non dim	Work light
Void 1	Circuited bar	7600	24	6	2	1
Void 2	Circuited bar	7600	30		2	1
Void 3	Circuited bar	7600	24		2	1
Void 4	Circuited bar	7600	18		2	1
USPS	Patch panel		3	3	2	
USOP	Patch panel		3	3	2	
CSPS	Patch panel		6			
CSOP	Patch panel		6			
DSPS	Patch panel		3			
DSOP	Patch panel		3			
TOTALS			120	12	12	4

Non dimmed circuits throughout building hard wired to Bytecraft Solution 12 10amp dimmers with hard switching.

Lighting Equipment

Standard rig

Control

Strand Basic Palette

Dimmers

Bytecraft Solution 12 10amp
48 dimmers

Profiles

Selecon Pacific 12/28 1k	12
Selecon Pacific 23/50 1k	6

Fresnels

Selecon Rama HP 1.2k	12
----------------------	----

PARS

Kupo Multi PARS	8
-----------------	---

Sound Equipment

Control

Yamaha LS9 16

Speakers

PRX512 (from main room)	2
-------------------------	---

Projection

Projector

DVD

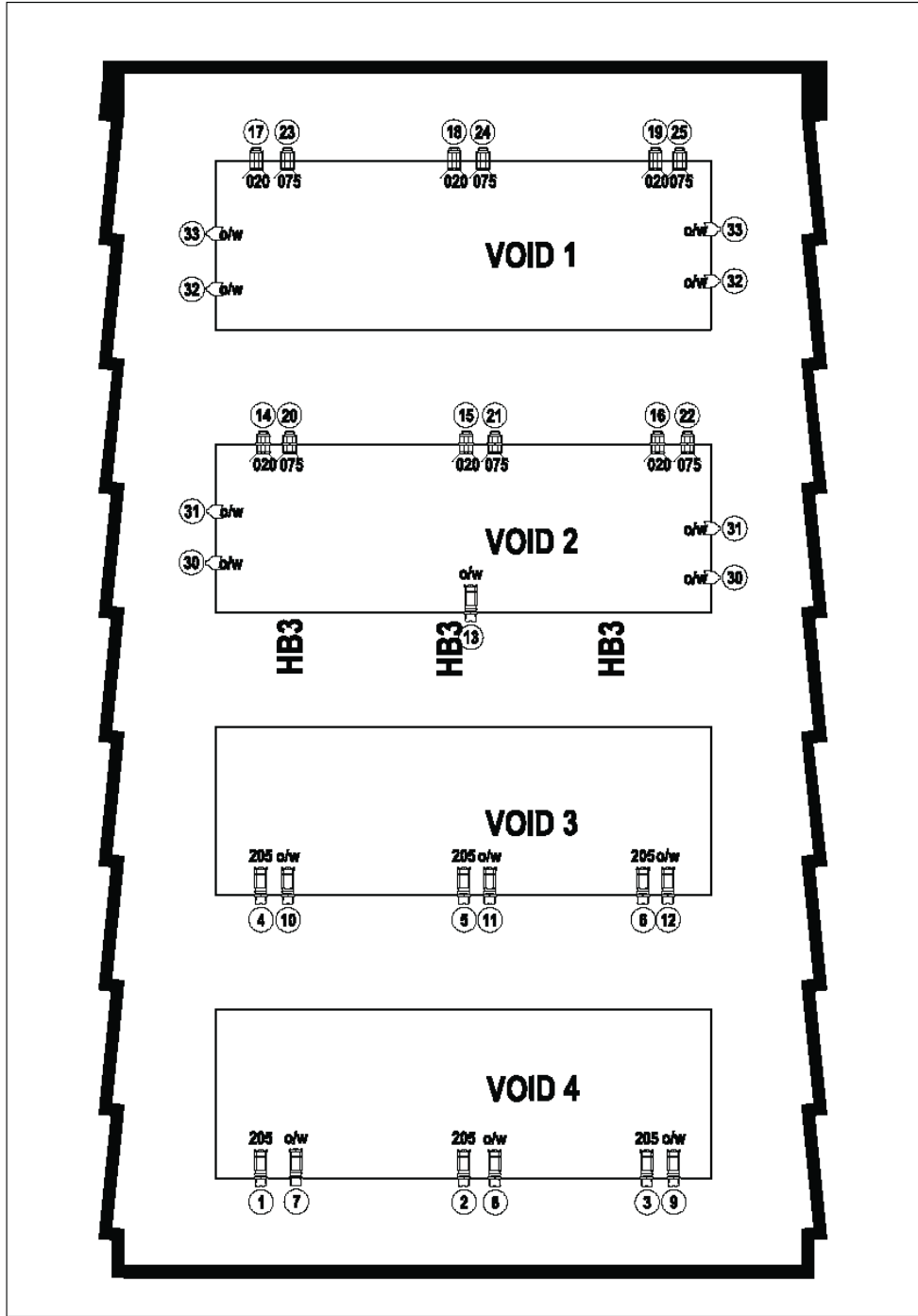
Talkback

Jands Ezicom E400 master station

4 Headsets and Belt packs

Stage Managers Desks

Each venue has its own desk with paging and talk back capability



LEGEND	
	Selection Profile 6.8215
	Selection Profile 1210
	Selection Profile 2340
	Selection Alarm 1P Mk. Present
	Selection Alarm 1k Present
	Keys Multi PAR
	Selection Alarm 4 way 1.20k
	Selection Run
	Out
	Channel Number



VENUE		Studio					
TITLE		Standard Rig					
SCALE	NTS	REVISION	A	DRAWN	Tweedle	DWG No	7
PAGE SIZE	A4	DATE	Apr 08	©	SEC	of 7	

Miscellaneous

Dressing rooms, Green Rooms

There are 2 large dressing rooms capable of taking 15 people each plus 2 small dressing rooms for 2 people each located behind the main theatre stage at stage level.

Each dressing room has a shower and toilets.

These dressing rooms service both venues.

Two rehearsal/dressing rooms for 8 to 10 people each are also located on the floor below with easy access to the orchestra pit. A single shower and toilet is located between these rooms.

Laundry facilities

Washing and drying facilities are located in the loading dock area.

Music Stands

Rat Conductor Stand	1
Rat Performer Stands	20